



A12.0909

Biological Microscope



Product Details



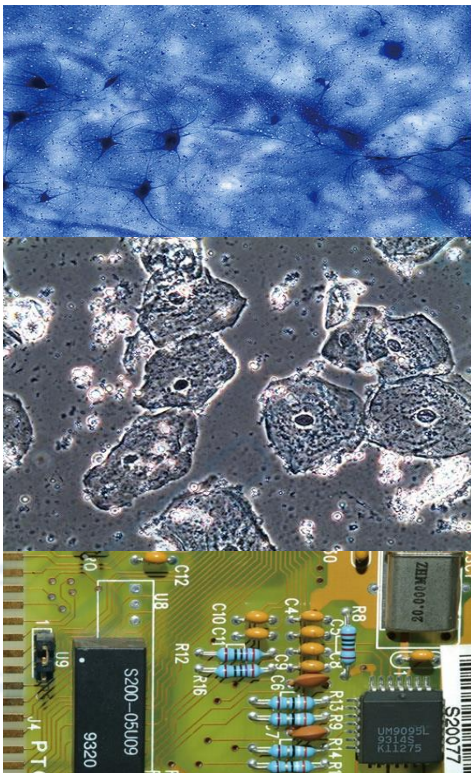
A12.0909-A/A1



A12.0909-B/B1



A12.0909-C/C1



A12.0909 biological microscope with elaborate appearance and reliable quality, is beautiful and practical. Its easy operation and clear image inspire students' imagination and interesting of microscopy world, is helpful to explore the mystery of life science. New generation of scientists are born from here.



Compact And Solid, Innovative Frame

The frame with hollow design is light weight but stable, easy to carry.

External Wide Voltage AC Adapter, 100V-240V_AC50/60Hz Input, DC6V 2A Output.



LED Illumination System, Multiple Power Supplies For Option

Built-in Rechargeable Batteries For Option, 8 Hours Continuous Working Is Available. Common Illumination Systems Adopt 100v-240v AC50/60hz Wide Voltage, External Or Internal For Option.



A33.0909 3.5" LCD Digital Microscope, Consist of:

- A12.0909 Biological Microscope
- A59.0920 3.5" LCD Digital Camera



Plan Objectives: 4x, 10x, 40x, 100x

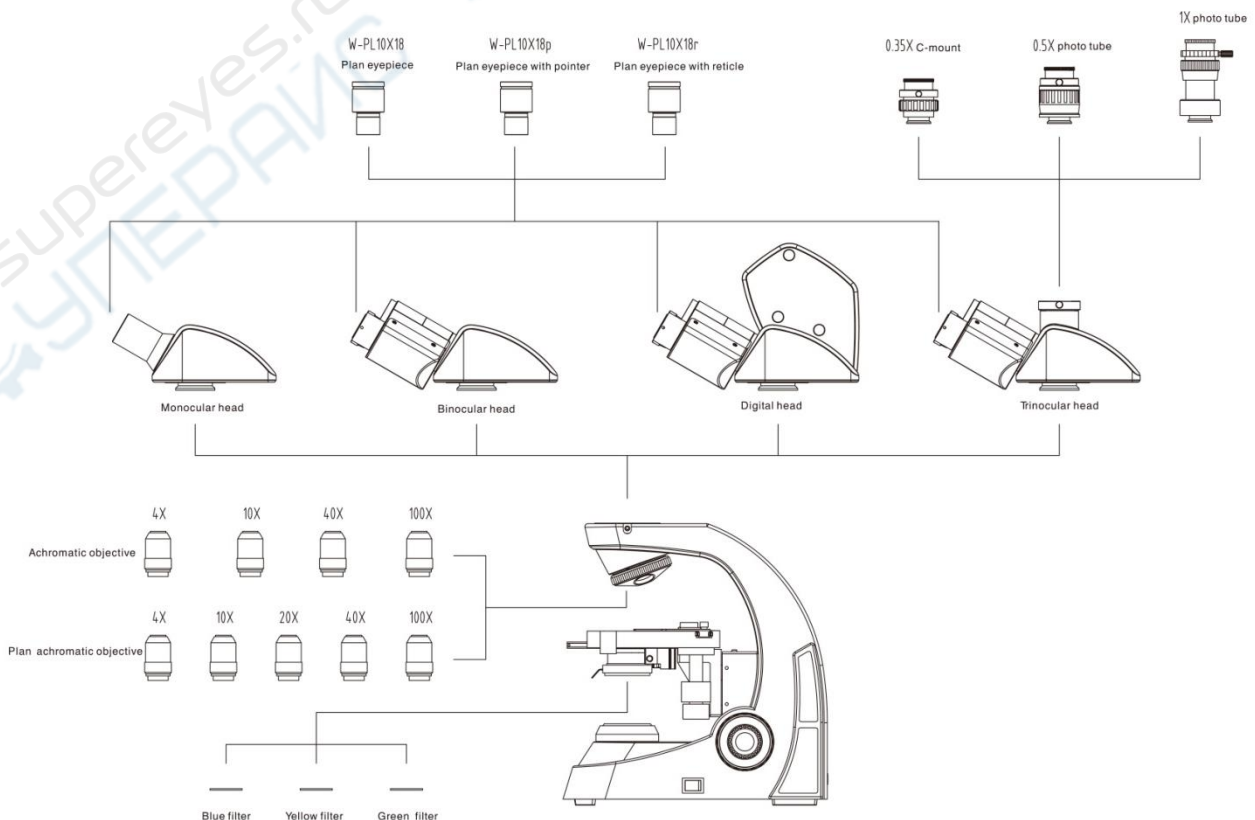


Binocular Head Interpupillary Distance Adjustable 50~75mm

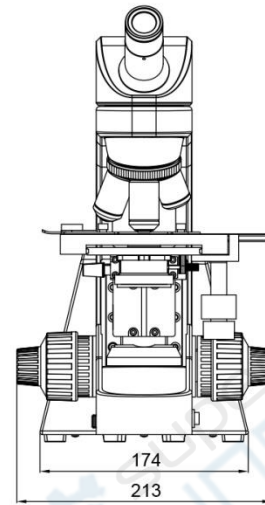
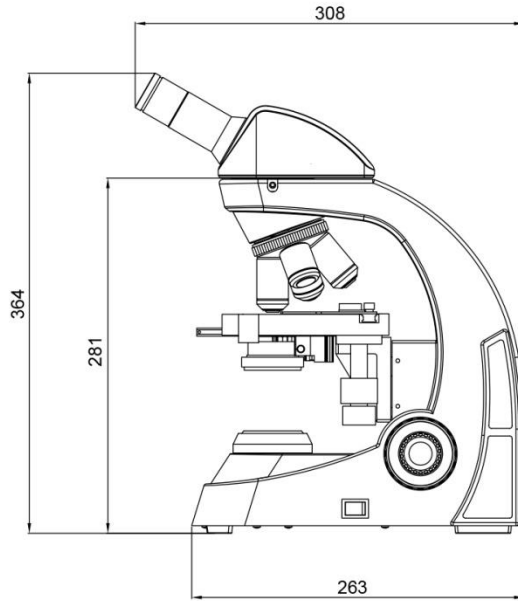


Item	Magnification	N.A. (mm)	WD (mm)	Cover Glass (mm)	Parfocal Distance (mm)	Conjugate Distance (mm)
Achromatic Objective	4x	0.10	21.30	0.17	45	195
	10x	0.25	6.40			
	40xs	0.65	0.48			
	100xs (Oil)	1.25	0.15			
Item	Magnification	N.A. (mm)	WD (mm)	Cover Glass (mm)	Parfocal Distance (mm)	Conjugate Distance (mm)
Plan Achromatic Objective	4x	0.10	15.10	0.17	45.00	195.00
	10x	0.25	1.50			
	20x	0.40	8.70			
	40xs	0.65	0.38			
	100xs (Oil)	1.25	0.09			

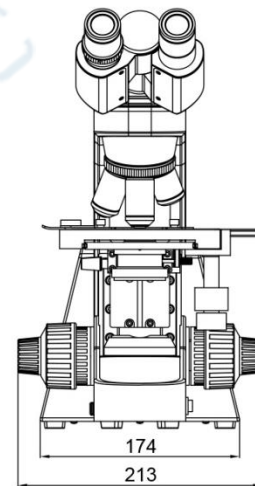
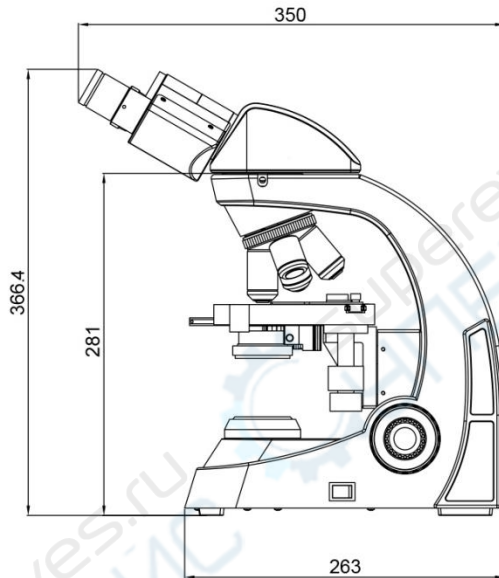
Product Diagram



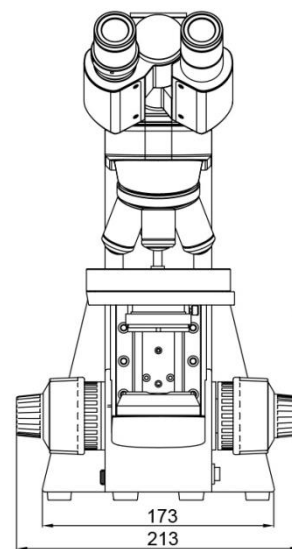
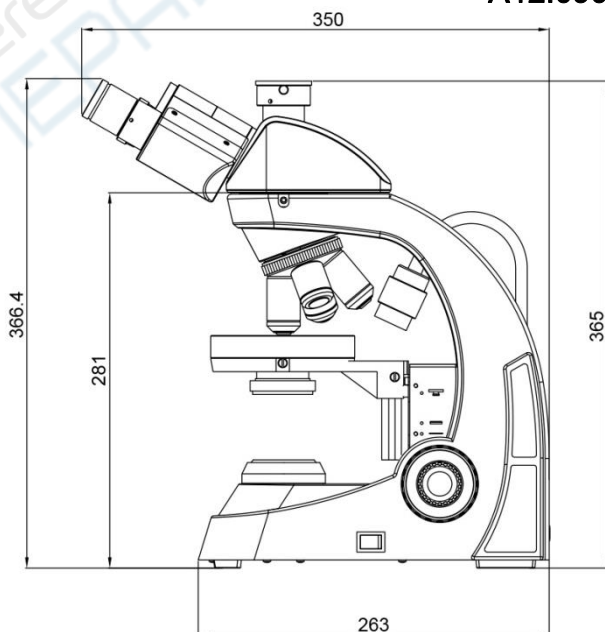
Product Size (mm)



A12.0909-A/A1



A12.0909-B/B1



A12.0909-C/C1

Product Specification

A12.0909 Biological Microscope		A	B	C	A1	B1	C1
Head	Monocular Head, 30° Inclined,	•			•		
	Binocular Head, 30° Inclined, Diopter Adjustable +/-5°, Interpapillary Distance 50~75mm		•			•	
	Trinocular Head, 30° Inclined, Diopter Adjustable +/-5°, Interpupillary Distance 50~75mm, Light Split Ratio 80:20			•			•
Objective	Achromatic 4x, 10x, 40x(S), 100x(O,S)	•	•	•			
	Plan 4x, 10x, 40x(S), 100x(O,S)				•	•	•
Eyepiece	WF10x/18mm						
Nosepiece	Backward, Quadruple Nosepiece						
Working Stage	Double Layer Mechanical Stage, Size 132*140mm, Moving Range 50*76mm, Precision 0.1mm						
Condenser	Abbe N.A.1.25, With Iris Diaphragm, Fixed But Center adjustable						
Focusing	Low Position Designed, Coaxial Coarse & Fine Focusing, Coarse Focusing Range 25mm, Fine Focusing Scale 0.002mm, With Tension Adjustment, With Upper Safety Stop						
Light Source	3W LED High Brightness						
Power	External Wide Voltage AC Adapter, 100V-240V_AC50/60Hz Input, DC6V 2A Output.						
	External Wide Voltage AC Adapter, 100V-240V_AC50/60Hz Input, DC7.5V 2A Output. (Optional)						
	Internal Switch 100V-240V_AC50/60Hz (Optional)						
	Internal 4 Pieces Rechargeable Batteries, External Wide Voltage Battery Charger, 100V-240V_AC50/60Hz Input, DC6V 1A Output. (Optional)						
A12.0909 Biological Microscope Optional Accessories							
Eyepiece	PL10x/18mm with Pointer, High-Eyepoint	E51.0906-1018P					
	PL10x/18mm with Reticle, High Eyepoint	E51.0905-1018PR					
Adapter	C-Mount 1.0x	A55.0926-10					
	C-Mount 0.35x	A55.0926-35					
	C-Mount 0.50x	A55.0926-50					
	C-Mount 0.67x	A55.0926-67					

MICROSCOPE IS OUR FOCUS

Supply Ways to See Small World

OPTO-EDU is a unique, long-term and excellent supplier of microscopes and educational instruments from China. We focus on the international market of microscopes and education instruments for more than 15 years. At present our customers come from more than 110 countries all over the world, include U.S.A., U.K., Russia, Canada, Germany, Denmark, Poland, Sweden, U.A.E., Egypt, Korea, Brazil and more.

OPTO-EDU as our trademark is well known in the professional field. OPTO-EDU ranked No.1 in alibaba.com, also expanded to amazon.com, aliexpress.com in 2018. We have been working tirelessly for the sale of high quality microscopes and educational products made in China to the world market.

MI
RO
WORLD

The Way To **OPTO-EDU**



Opto-Edu (Beijing) Co.,Ltd.

F-1501 Wanda Plaza, No. 18 Shijingshan Road, Beijing 100043, China

Skype: xincnoec Wechat : xincnoec

QQ: 3004603361 Email: sale@cnoec.com

Tel: 0086 10 88696020 Mobile: 0086 13911110627

